

BNPM/LTE/TANK/8 45/2018-19	BANK NOTE PAPER MILL PRIVATE LIMITED	
	CORRIGENDUM NO. 3	

**CORRIGENDUM No. 3, DATED 25.02.2019**

**FOR**

**BNPM/LTE/TANK/ 845/2018-19 Dated 30.11.2018**

**TENDER FOR SUPPLY, INSPECTION, TESTING OF AIR RECEIVER  
STORAGE TANK AT BANK NOTE PAPER MILL, MYSURU**

**Client: BANK NOTE PAPER MILL INDIA PRIVATE LIMITED, MYSURU,  
KARNATAKA**



**Administrative Office Building,  
Entry Gate-1, Paper Mill Compound,  
Note Mudran Nagar,  
Mysuru-570003**



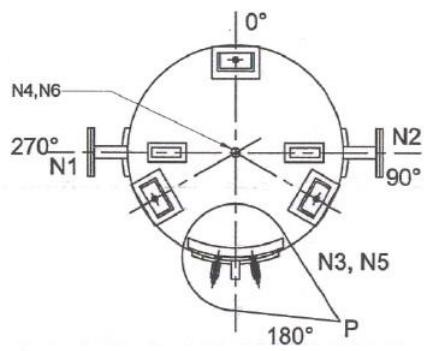
## 1.0 SCOPE OF THIS CORRIGENDUM:

This corrigendum contains total 4 pages numbered serially.

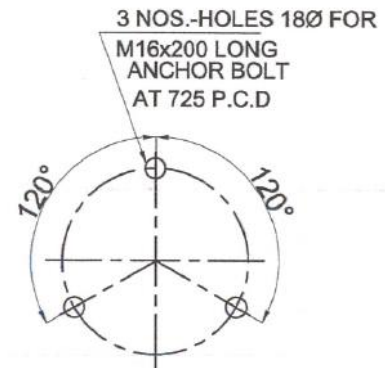
<b><u>Sl No.</u></b>	<b><u>Previous Provisions</u></b>	<b><u>Action/Clarification incorporated in this Corrigendum</u></b>
<b><u>1.</u></b>	Sec – VII, Tech Specification , GA Drg was not enclosed.	Sec – VII, Tech Specification , GA Drg is enclosed. Refer Annexure 1 , enclosed herewith this corrigendum
<b>2.</b>	<b>Offer Submission Closing Date: 25.02.2019 at 1400 Hours</b>	<b>Offer Submission Closing Date:08.03.2019 at 1400 Hours</b>

EXCEPT FOR DETAILS MENTIONED HEREIN, ALL OTHER DETAILS CONTAINED IN **LIMITED TENDER ENQUIRY NO. BNPM/LTE/ TANK /845/2018-19 & CORRIGENDUM NO.1** SHALL REMAIN APPLICABLE AND UNCHANGED.

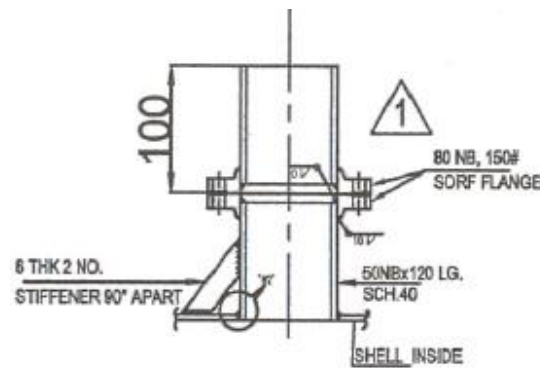




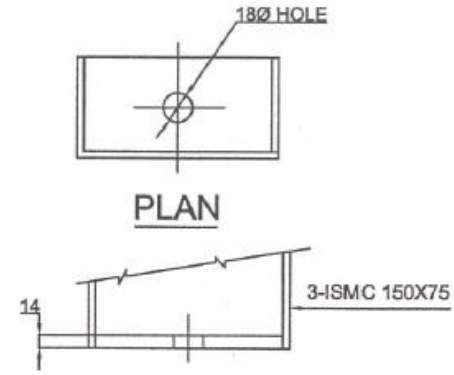
**ORIENTATION PLAN**



**LEGS HOLE DETAIL**

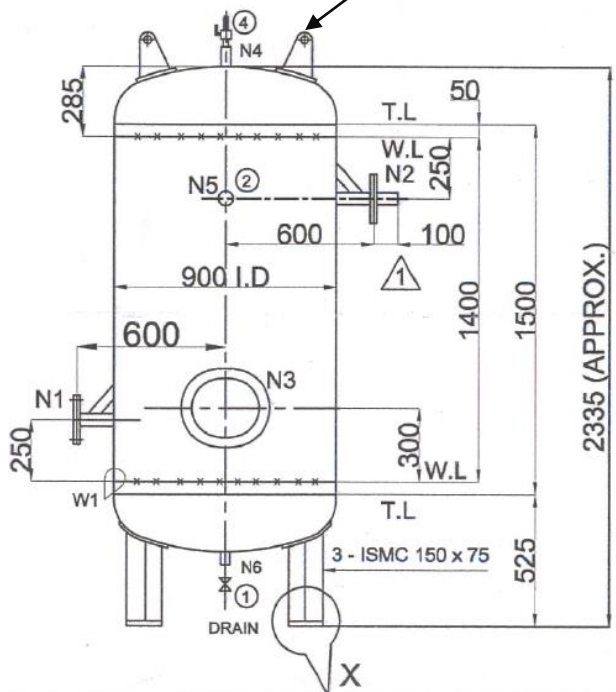


**DETAIL OF NOZZ. N2**

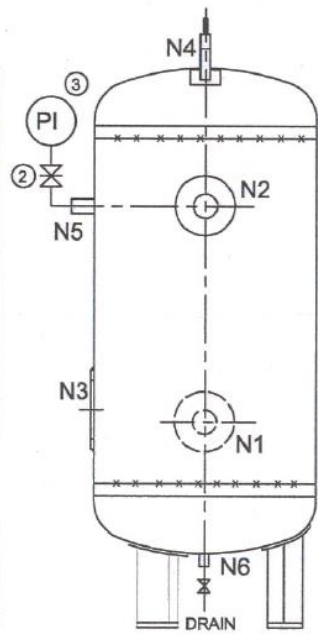


**DETAIL OF-X**

LIFTING LUG  
DADETAILS SHOWN IN  
SHEET 2 OF 2



**ELEVATION**



**SIDE VIEW**

NOZZLE SCHEDULE						
NOZZ MARK	DESIGNATION	QTY	PIPES		FLANGE TYPE	REMARKS
			NB	SCH.		
N1	AIR INLET	1	80(3")	40	PN16	WITH BLIND FLANGE
N2	AIR OUTLET	1	80(3")	40	PN16	WITH COUNTER FLANGE
N3	HAND HOLE(MAN HOLE)	1	250 x 350	-	-	OVAL TYPE
N4	SAFETY VALVE	1	15(1/2")	-	-	HALF COUPLING
N5	PRESSURE GAUGE	1	15(1/2")	-	-	HALF COUPLING
N6	DRAIN	1	25(1")	-	-	HALF COUPLING

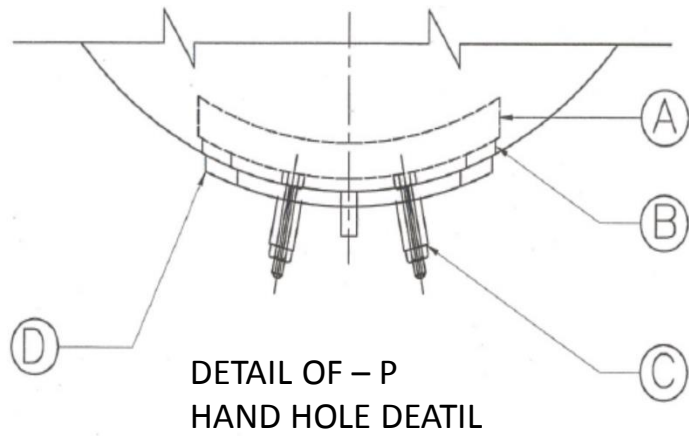
**DESIGN DATA**

01	FLUID TYPE	AIR
02	DESIGN CODE	IS:2825
03	WORKING PRESSURE	7.5 bar
04	DESIGN PRESSURE	9.5 bar
05	HYDRO TEST PRESSURE	14.3 bar
06	WORKING TEMPERATURE	50°C
07	DESIGN TEMPERATURE	100°C
08	MATERIAL OF CONSTRUCTION	IS:2062
09	SHELL THICKNESS	6MM
10	DISH END THICKNESS	8MM
11	CAPACITY	1M³

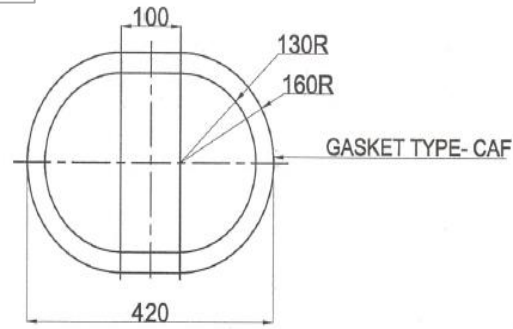

**BANK NOTE PAPER MILL INDIA PRIVATE LIMITED**  
 MYSORE-570003  
BANK NOTE PAPER MILL INDIA PRIVATE LIMITED

PREPARED BY	SIGNATURE	DATE	AIR RECIEVER FOR PAPER MACHINE
CHECKED BY			DRG.NO:BNPM/PM/62/2018-19
APPROVED BY			

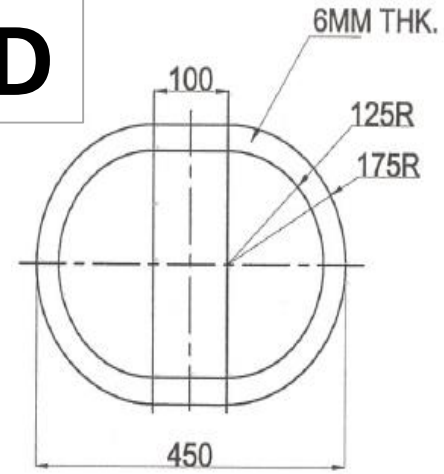




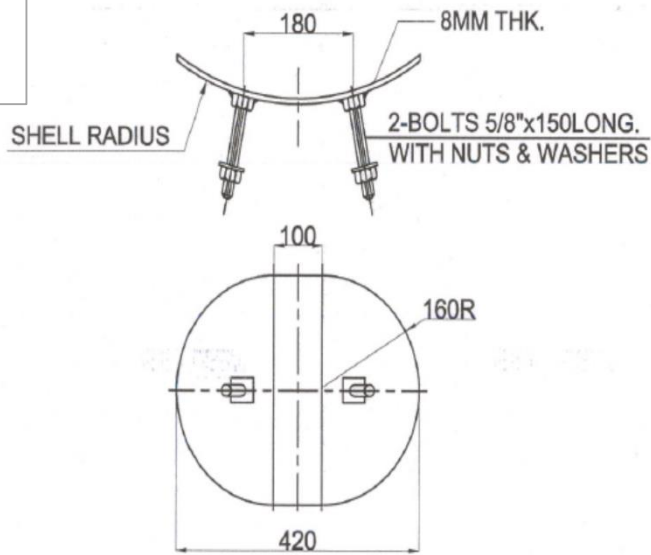
**B**



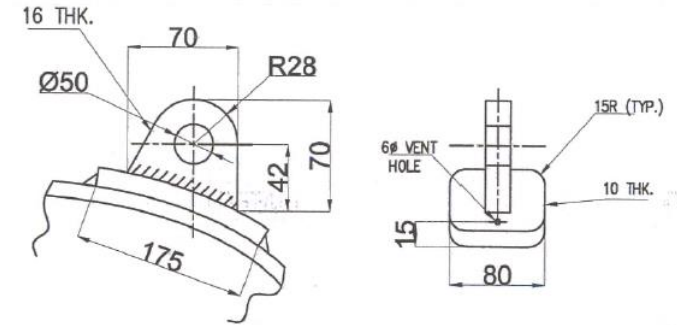
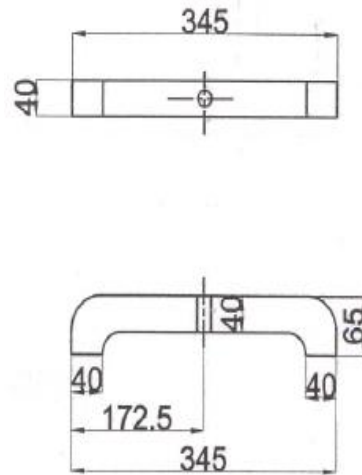
**D**



**A**



**C**



DEATAILS OF LIFTING LUG



**BANK NOTE PAPER MILL INDIA PRIVATE LIMITED**  
MYSORE-570003

	SIGNATURE	DATE
PREPARED BY		21/11/18
CHECKED BY		
APPROVED BY		

**AIR RECIEVER FOR  
PAPER MACHINE**

**DRG.NO:BNPM/PM/62/2018-19**

**SHEET 2 OF 2**

